

Material Spreader



2-Ton Spreader

Rugged enough for lime, precise enough for fertilizer

Do you want to save money by spreading inexpensive stockpiled lime, but can't find a spreader that is up to the task? Are you tired of shoveling packed lime out of an ATV spreader? Do you want to load your spreader, pull it several miles over rough terrain, and still be able to spread? For over 30 years, farmers have relied on Stoltzfus to spread difficult materials such as lime. These spreaders are now available for your hunt club.

Discover
the **STOLTZFUS**
difference

What can a Stoltzfus Spreader do for you?

- **Convenience** - Load and drive several miles to your plot.
- **Economy** - Buy in bulk. Stockpile outside. Spread it when you are ready.
- **Versatility** - Spread sand, gypsum, compost, chicken litter, soil. Distribute trail maintenance materials
- **Flexibility** - Spread fertilizer or cover crop seeds (with Low Rate Kit option). Remove spinners and use as a live bottom cart to move materials.
- **Multi-seasonal Use** - Spread salt and cinders on roads in winter.
- **Added Value** - Rent out to farmers for a fee.



Standard Features



PROVEN MATERIAL DELIVERY SYSTEM

- Two ton capacity
- Steep 53 degree hopper walls
- Four inch deep pan
- 24 inch exposed drag chain
- Telescoping chain tighteners
- Self aligning idler shaft
- Saw-toothed pan edge
- Ribbed drive shaft



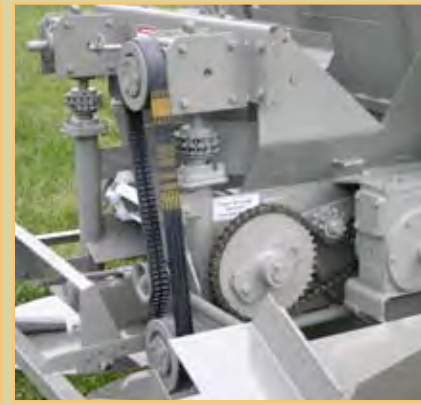
SPINNERS & TOP MOUNT GEARBOXES

- Dual 24 inch spinners
- PTO driven spinners for more power
- 40 foot spread pattern
- Adjustable spread width (with hydraulic spinners)
- Double chain coupler protects gearboxes from shock
- Top mounted gearboxes eliminate worn seals and bearings



RUGGED BODY AND SUSPENSION

- Smooth riding spring suspension
- Thick axles for strength
- Fully welded hopper
- Structural steel frame
- Extra body braces
- Extra steel at stress points

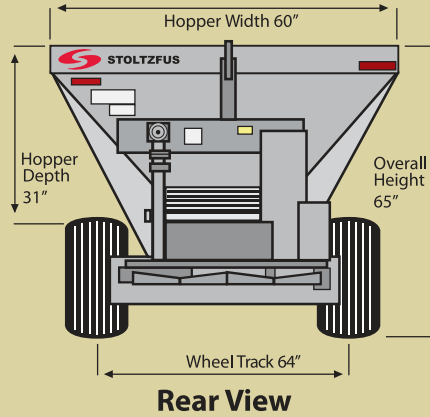
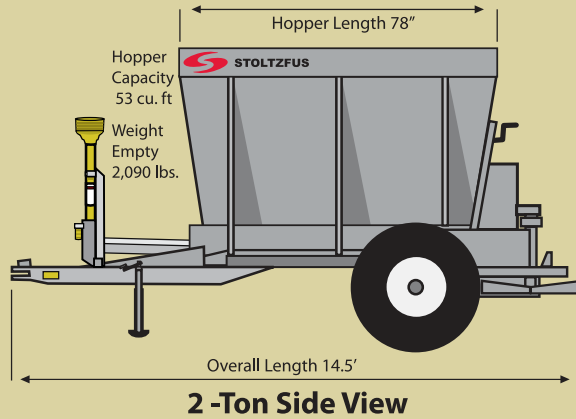


HEAVY DUTY DRIVE TRAIN

- Proven PTO drive system eliminates slipping
- Dual speed drives
- Rugged double V-belt for spinner drive
- Shear hub to protect drive line
- Easy access shield
- Optional low gear for fertilizer

POPULAR OPTIONS

- Low Rate Kit** for spreading fertilizer down to 125 lbs./acre
- Hydraulic spinners** for variable width spreading



BUILT
LIME
TOUGH

How does lime help your food plot grow?

- Fights soil acidification
- Promotes vigorous plant growth
- Improves soil yield
- Frees up nutrients
- Increases fertilizer efficiency for better plant growth
- Improves establishment of crops
- Reduces certain acid-loving weeds
- Increases microbial activity for healthier soil
- Improves soil structure (air and water flow)
- Supplies calcium for legumes and alfalfa



Morgantown, PA 19543
1-800-843-8731
www.limespreaders.com

Call us today to discuss your spreading needs.

